

CPS MOBILE STAND DUAL 55 - 65“

comPROnents® complete solution

Item no.: 3325

The CPS MOBILE STAND DUAL 55 - 65“ is a mobile stand system. Two screens with a screen size between 55 - 65“ | 140 - 165 cm find their place next to each other (side-by-side).

The VESA standard is covered up to max. 800 x 400 mm, and the VESA mounts can also be tilted from 0 to 20°.

The castors allow the stand system to be moved flexibly and fixed securely by locking brakes.

The rails are height-adjustable along the Alu Pillars and thus offer flexible mounting options to suit the respective room situation.

Alu Pillars and Rails can be shortened if necessary.

Cables are routed along the rear of the rails and pillars using cable clips and thus remain out of sight.

The surfaces of the individual components are protected by an impact- and scratch-resistant powder coating.

The maximum load per screen is 40 kg.

The complete solutions can be combined and extended with the components of the comPROnents® series without restriction and thus offer further application possibilities.



Castors with locking brakes



VESA-Arms, 0 - 20° tiltable



Cable management along the rails and pillars

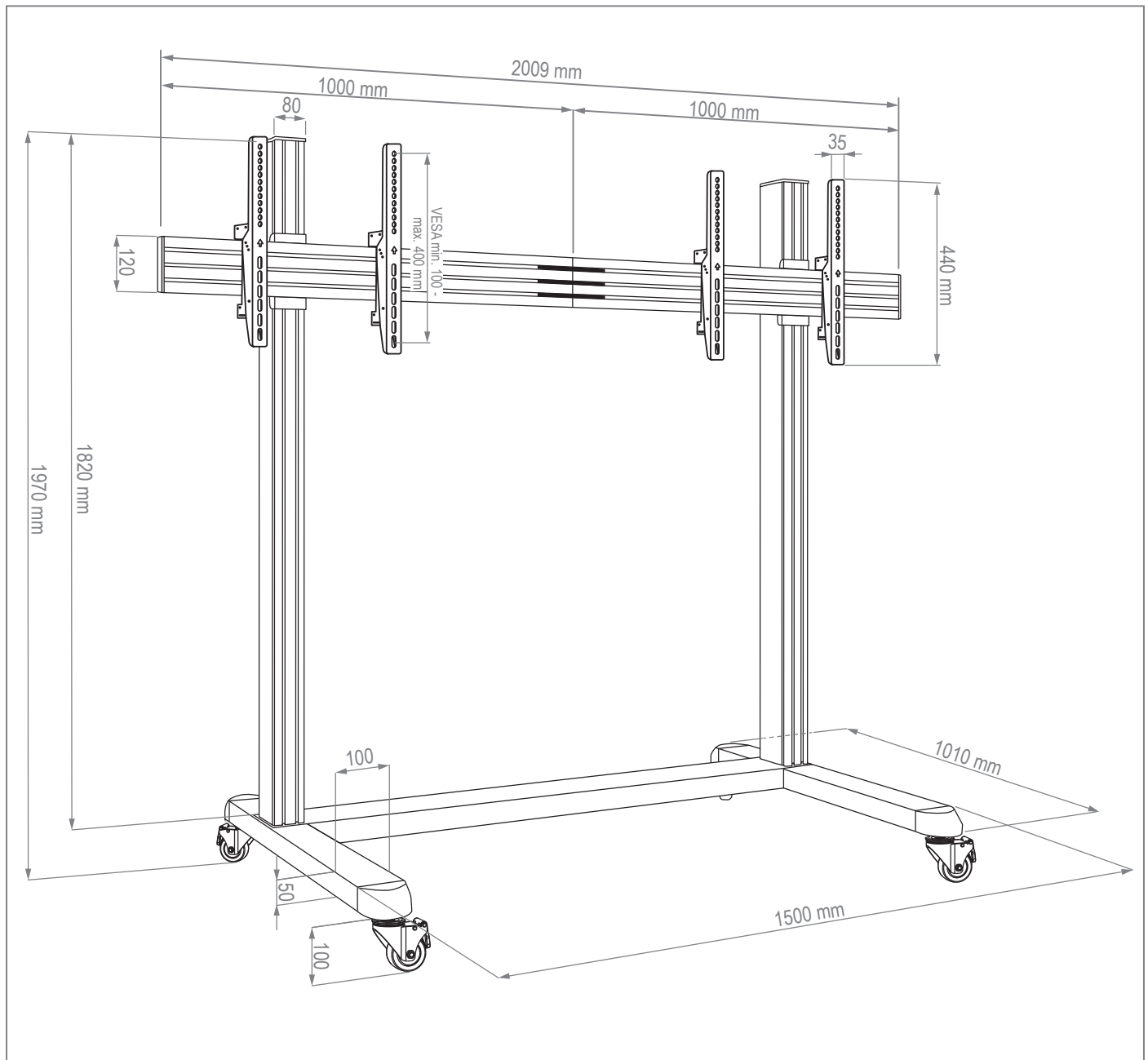


CPS MOBILE STAND DUAL 55 - 65“

comPROnents® complete solution

Item no.: 3325

- for 2 screens „side-by-side“
- 2x 55 - 65“ | 140 - 165 cm
- Landscape
- VESA max. 800 x 400 mm, 0 - 20° tiltable
- Castors with locking brake
- Cable management along the column and rails
- Rails along the aluminium pillars height adjustable
- impact- and scratch-resistant powder coating
- Colour: black
- 40 kg max. load / per screen
- combinable & expandable with comPROnents® series



Technical changes reserved | As of: 02/2022